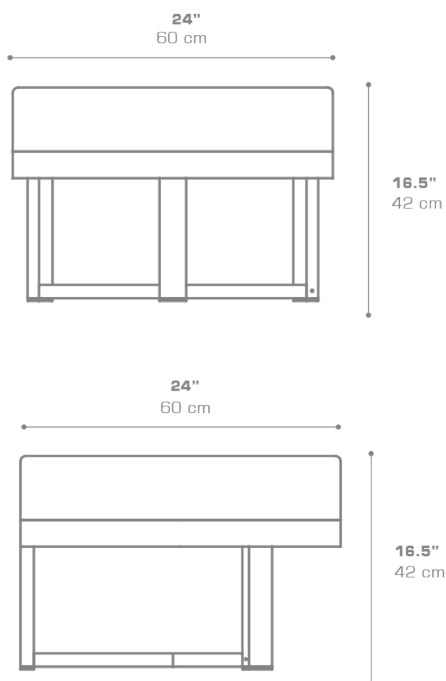


MUNIA Ottoman
MUN008

• NOT ACTIVATED • PREVIEW •



Protective cover available

DIMENSIONS**CONFIGURATIONS**

FRAME : Powder Coated Aluminum

CUSHION : Grade A | B | C | D | E

Protective Cover :
MUN008PC

PACKING DETAILS

VOL : 7 ft³ | 0.19 m³

NW : 15 lb | 7 kg

GW : 29 lb | 13 kg

PU : 1 / box

DOWNLOAD MATERIALS

[Powder Coating Colors](#)

[Textiles](#)