

NATUN Bar Chair MG2613

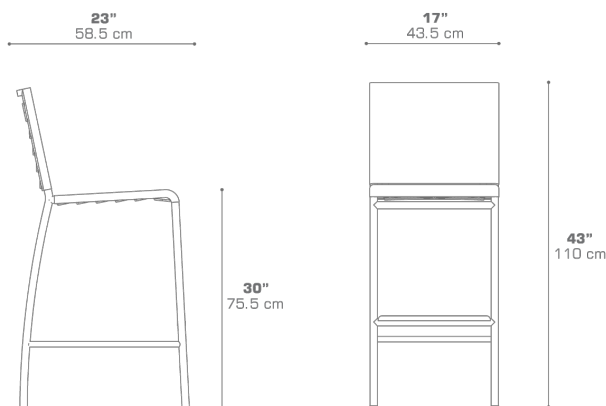


• NOT ACTIVATED • PREVIEW •



Protective cover available

DIMENSIONS



CONFIGURATIONS

FRAME : Powder Coating Stainless Steel

SLING : Grade K | P | Q | U

Protective Cover :
MG2613PC

PACKING DETAILS

VOL : 12 ft³ | 0.34 m³

NW : 13 lb | 6 kg

GW : 22 lb | 10 kg

PU : 1 / Box

DOWNLOAD MATERIALS

[Powder Coating Colors](#)

[Textiles](#)