

MUNIA MO Corner
MUN020



• NOT ACTIVATED • PREVIEW •



Protective cover available



Suitable for rooftop

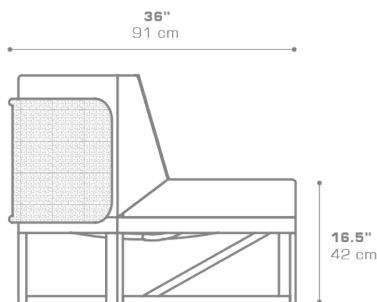
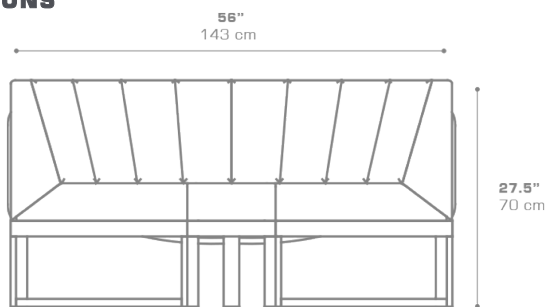


Heavier than regular items, suitable for more windy areas



Partially handcrafted, random imperfections are part of the design

DIMENSIONS



CONFIGURATIONS

FRAME	: Powder Coated Aluminum
SHELL	: Fiber Weave Flat Patterns
CUSHION	: Grade A B C D E

PACKING DETAILS

VOL	: 31 ft3 0.87 m3
NW	: 51 lb 23 kg
GW	: 77 lb 35 kg
PU	: 1 / box
COM	: 5.5 ly

DOWNLOAD MATERIALS

[Powder Coating Colors](#)

[Textiles](#)

[Weaving Flat Pattern](#)