

## TITAN Dining Table 94.5" / 240 cm (Sintered Stone)

TIT02ST



• NOT ACTIVATED • PREVIEW •

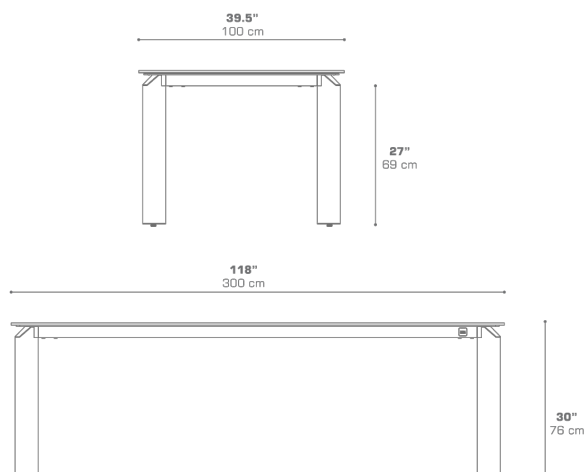


Protective cover available



ADA compliant / wheelchair accessible

### DIMENSIONS



### CONFIGURATIONS

FRAME : Powder Coating Aluminum  
TOP : Sintered Stone

Protective Cover :  
TIT02PC Top table only  
TITPC-2 Table + 8 Chairs

### PACKING DETAILS

VOL : 28.5 ft<sup>3</sup> | 0.81 m<sup>3</sup>  
NW : 269 lb | 122 kg  
GW : 379 lb | 172 kg  
PU : 1 Crate & 2 Boxes

### DOWNLOAD MATERIALS

[Powder Coating Colors](#)  
[Sintered Stone](#)