

**MUNIA NAYA Corner**  
MUN120



• NOT ACTIVATED • PREVIEW •



Protective cover available



Suitable for rooftop

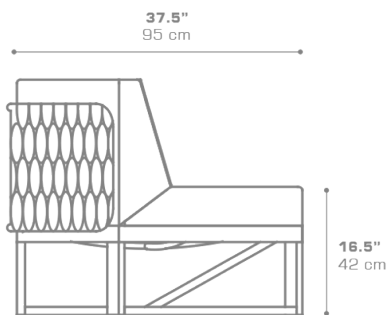
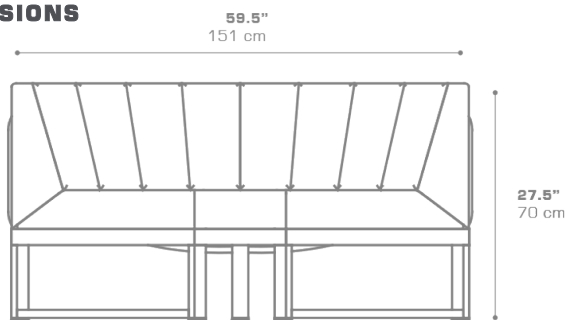


Heavier than regular items, suitable for more windy areas



Partially handcrafted, random imperfections are part of the design

**DIMENSIONS**



**CONFIGURATIONS**

FRAME	: Powder Coated Aluminum
SHELL	: Braiding
CUSHION	: Grade A   B   C   D   E

**PACKING DETAILS**

VOL	: 33 ft <sup>3</sup>   0.94 m <sup>3</sup>
NW	: 51 lb   23 kg
GW	: 79 lb   36 kg
PU	: 1 / box
COM	: 5.5 ly

**DOWNLOAD MATERIALS**

- [Powder Coating Colors](#)
- [Textiles](#)
- [Braiding](#)