

**MUNIA NAYA Curved Left Hand Modular System
(HPL Top | High Back)**
MUN115H



Protective cover available



• **NOT ACTIVATED** • **PREVIEW** •
Floor mounting is included



Suitable for rooftop

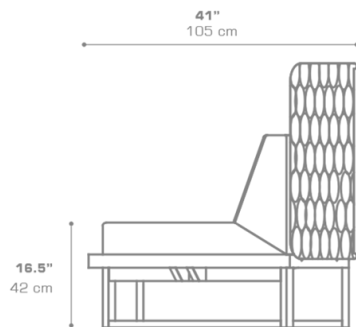
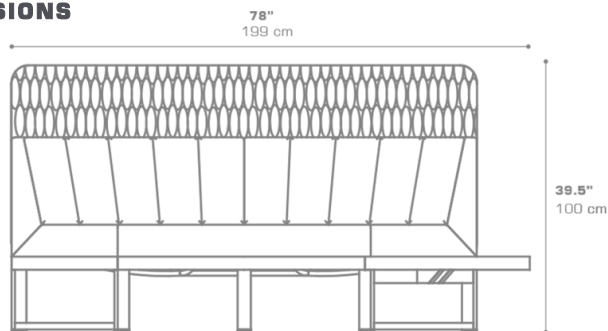


Heavier than regular items, suitable for more windy areas



Partially handcrafted, random imperfections are part of the design

DIMENSIONS



CONFIGURATIONS

FRAME	: Powder Coated Aluminum
SHELL	: Braiding
CUSHION	: Grade A B C D E
TOP	: High Pressure Laminate (HPL)

PACKING DETAILS

VOL	: 83 ft ³ 2.35 m ³
NW	: 95 lb 43 kg
GW	: 146 lb 66 kg
PU	: 1 / box
COM	: 6.5 ly

DOWNLOAD MATERIALS

[Powder Coating Colors](#)

[Textiles](#)

[HPL](#)

[Braiding](#)