

TITAN Dining Table 94.5" / 240 cm (Sintered Stone)
TIT02ST



• NOT ACTIVATED • PREVIEW •

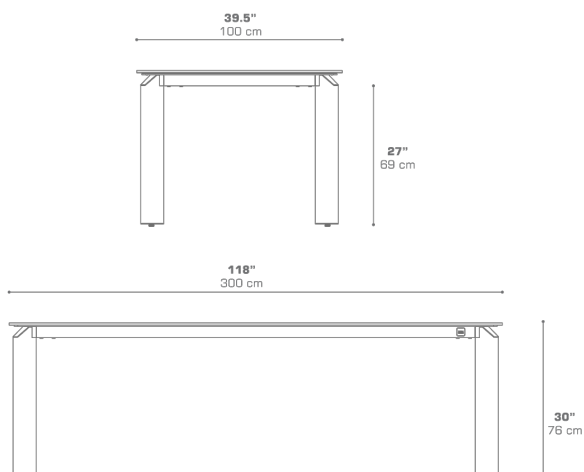


Protective cover available



ADA compliant / wheelchair accessible

DIMENSIONS



CONFIGURATIONS

FRAME : Powder Coating Aluminum
TOP : Sintered Stone

Protective Cover :
TIT02PC Top table only
TITPC-2 Table + 8 Chairs

PACKING DETAILS

VOL : 28.5 ft³ | 0.81 m³
NW : 269 lb | 122 kg
GW : 379 lb | 172 kg
PU : 1 Crate & 2 Boxes

DOWNLOAD MATERIALS

[Powder Coating Colors](#)
[Sintered Stone](#)