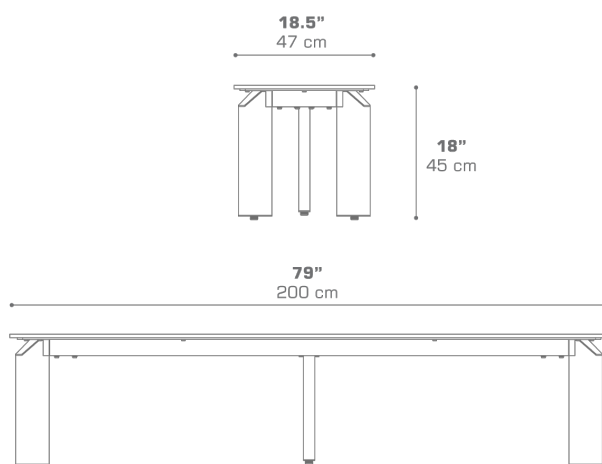


TITAN Bench 79" / 200 cm (HPL)
TIT10HPL

• NOT ACTIVATED • PREVIEW •



Protective cover available

DIMENSIONS**CONFIGURATIONS**

FRAME : Powder Coating Aluminum
SEATREST : High Pressure Laminate (HPL)

Protective Cover :
TIT10PC

PACKING DETAILS

VOL : 7 ft3 | 0.21 m3
NW : 118 lb | 54 kg
GW : 136.5 lb | 62 kg
PU : 2 Boxes

DOWNLOAD MATERIALS

[Powder Coating Colors](#)
[HPL](#)